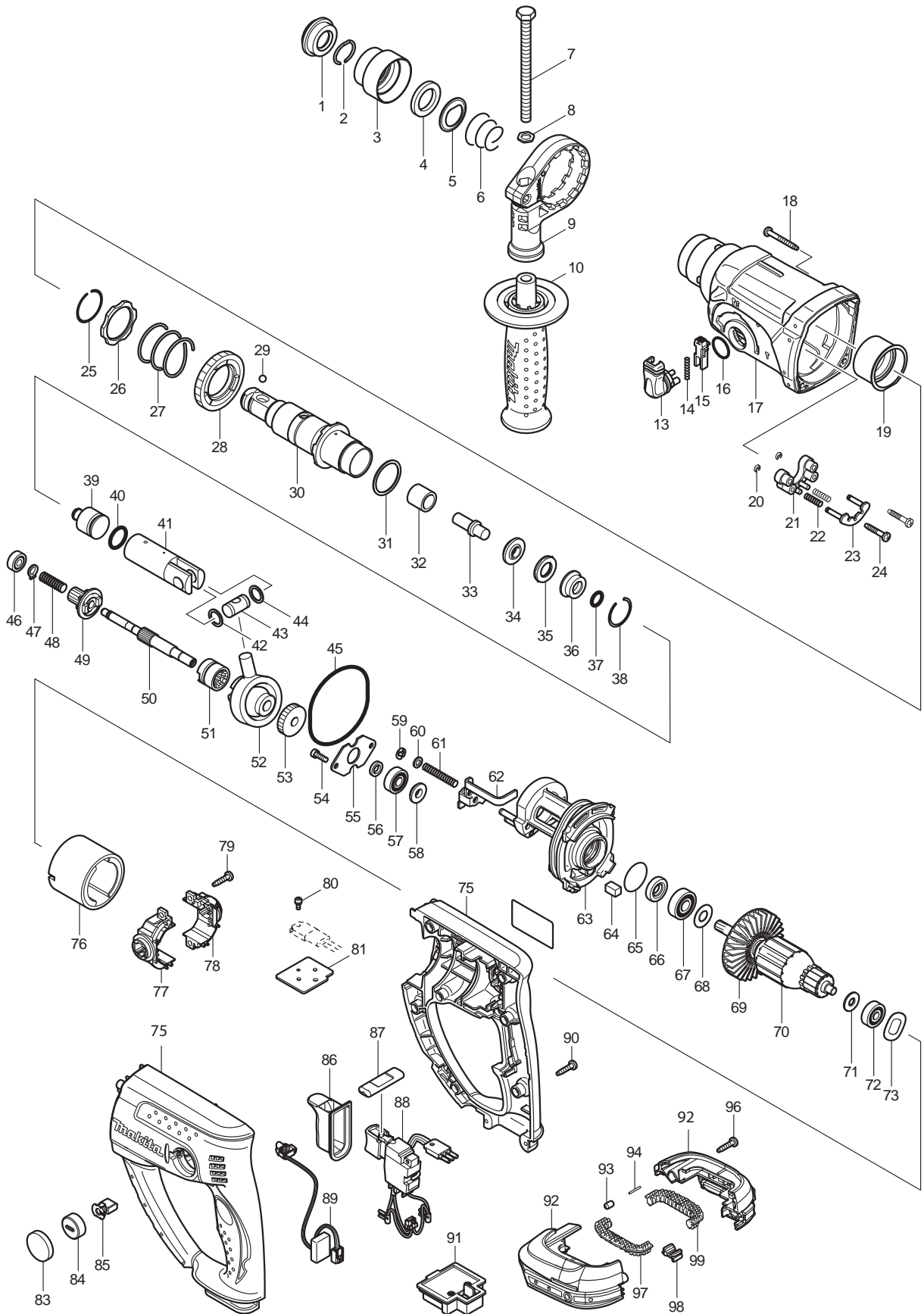




09 - 2011
BHR202 / BHR202Z / BHR202F
18V ROTARY HAMMER



Item No	Type	Ref	Part No	Description	Qty	Unit
1			286263-4	CAP 35	1	PC.
2			233940-9	RING SPRING 19	1	PC.
3			417629-9	CHUCK COVER	1	PC.
4			257241-1	RING 21	1	PC.
5			345187-4	GUIDE WASHER	1	PC.
6			233916-6	CONICAL COMP. SPRING 21-29	1	PC.
7			921923-8	HEX. BOLT M8X120	1	PC.
8			345280-4	HEX. WASHER	1	PC.
9			417630-4	GRIP BASE	1	PC.
10			158057-6	GRIP 36 COMPLETE	1	PC.
		INC.	931402-8	HEX. NUT M8	1	PC.
13			162245-9	CHANGE LEVER	1	PC.
14			233459-8	COMPRESSION SPRING 3	1	PC.
15			419192-8	LOCK BUTTON	1	PC.
16			213278-8	O RING 17	1	PC.
17			158216-2	GEAR HOUSING COMPLETE	1	PC.
	1	INC.	213965-9	OIL SEAL 25 (TYPE 1)	1	PC.
	2	INC.	213345-9	OIL SEAL 25 (TYPE 2)	1	PC.
18			266351-3	TAPPING SCREW 4X35	4	PC.
19			153290-5	NEEDLE BEARING COMPLETE	1	PC.
20			961017-7	STOP RING E-3	2	PC.
21			417796-0	GUIDE BASE	1	PC.
22			233344-5	COMPRESSION SPRING 4	2	PC.
23			163430-7	LOCK PLATE COMPLETE	1	PC.
24			266374-1	TAPPING SCREW 4X25	2	PC.
25			233929-7	RING SPRING 29	1	PC.
26	2		267460-1	WASHER 31	1	PC.
27			233401-9	COMPRESSION SPRING 32	1	PC.
28			227109-5	SPUR GEAR 51	1	PC.
29			216022-2	STEEL BALL 7.0	1	PC.
30			158574-6	TOOL HOLDER COMPLETE	1	PC.
31			267229-3	FLAT WASHER 28	1	PC.
32			331769-8	SLEEVE 9	1	PC.
33			324669-9	IMPACT BOLT	1	PC.
34			324402-9	RING 10	1	PC.
35			421955-0	CUSHION RING 13	1	PC.
36			324216-6	O RING CASE	1	PC.
37			213073-6	O RING 9	1	PC.
38			233917-4	RING SPRING 28	1	PC.
39			324214-0	STRIKER	1	PC.
40			213227-5	O RING 16	1	PC.
41			318132-2	PISTON CYLINDER	1	PC.
42			267104-3	FLAT WASHER 12	1	PC.
43			324215-8	PISTON JOINT	1	PC.
44			267104-3	FLAT WASHER 12	1	PC.
45			213727-5	O-RING 63	1	PC.
46			211012-0	BALL BEARING 606ZZ	1	PC.
47			961003-8	RETAINING RING S-7	1	PC.
48			233343-7	COMPRESSION SPRING 7	1	PC.
49			227179-4	SPUR GEAR 10	1	PC.
50			324668-1	CAM SHAFT	1	PC.
51			331768-0	CLUTCH CAM	1	PC.
52			219014-0	SWASH BEARING 10	1	PC.
53			226632-7	HELICAL GEAR 25	1	PC.
54			266273-7	HEX. SOCKET HEAD BOLT M4X12	2	PC.
55			345179-3	BEARING RETAINER	1	PC.
56			267234-0	FLAT WASHER 8	1	PC.
57			211032-4	BALL BEARING 608ZZ	1	PC.
58			324212-4	RING 8	1	PC.
59			961011-9	STOP RING E-4	1	PC.
60			941102-2	FLAT WASHER 5	1	PC.

Item No	Type	Ref	Part No	Description	Qty	Unit
61			233342-9	COMPRESSION SPRING 6	1	PC.
62			345363-0	CHANGE PLATE	1	PC.
63	1		158215-4	INNER HOUSING COMPLETE	1	PC.
	2		141574-3	INNER HOUSING COMPLETE	1	PC.
64	1		443126-9	FELT (OLD) (F/TYPE 1 INNER HOUSING COM. #158215-4)	1	PC.
65			213407-3	O RING 26	1	PC.
66			213077-8	OIL SEAL 10	1	PC.
67			210059-1	BALL BEARING 6000DDW	1	PC.
68			267213-8	FLAT WASHER 10	1	PC.
69			240092-9	FAN 64	1	PC.
70			519226-8	ARMATURE ASS'Y 18V	1	PC.
		INC.		Item No. 67-69, 71, 72	1	PC.
71			253823-7	FLAT WASHER 7	1	PC.
72			210023-2	BALL BEARING 627DDW	1	PC.
73			267816-8	WAVE WASHER 15	1	PC.
75			188566-1	HOUSING SET	1	SET
76			638020-0	YOKE UNIT	1	PC.
77			643834-4	BRUSH HOLDER	1	PC.
78			643835-2	BRUSH HOLDER	1	PC.
79			266326-2	TAPPING SCREW 4X18	2	PC.
80			911006-2	PAN HEAD SCREW M3X8	1	PC.
81			689070-8	HEAT SINK	1	PC.
83			424128-4	HOLDER CAP COVER	2	PC.
84			643829-7	BRUSH HOLDER CAP	2	PC.
85	1		194435-6	CARBON BRUSH CB-441 2PC/SET (W/O ORIGIN) - N/L/A	1	SET
	2		195022-4	CARBON BRUSH CB-441, 2PCS/SET, W/ORIGIN	1	SET
86			424111-1	SWITCH COVER	1	PC.
87			450615-7	F/R CHANGE LEVER	1	PC.
88	1		650578-9	* SWITCH TG553FSB-6	1	PC.
	2		638883-4	* SWITCH UNIT	1	PC.
89			631792-6	LIGHT CIRCUIT	1	PC.
90			266326-2	TAPPING SCREW 4X18	7	PC.
91	2		643838-6	* TERMINAL (TYPE1# 643812-4)	1	PC.
	3		643859-8	* TERMINAL	1	PC.
92	1		188453-4	* BATTERY HOUSING SET	1	SET
		INC.	263005-3	* RUBBER PIN 6	2	PC.
	2		187212-3	* BATTERY HOUSING SET	1	SET
		INC.	263005-3	* RUBBER PIN 6	2	PC.
93			263036-2	RUBBER PIN 5	1	PC.
94			268184-2	PIN 1.5	1	PC.
96			266326-2	TAPPING SCREW 4X18	2	PC.
97			424042-4	CUSHION RUBBER	1	PC.
98			424026-2	CUSHION	1	PC.
99			424042-4	CUSHION RUBBER	1	PC.
100			652045-0	+PAN HEAD SCREW M3.5X5	2	PC.
ACCESSORIES				- See catalogue or visit www.makita.ca for more accessories information -		
A01			324219-0	DEPTH GAUGE	1	PC.
A02			194205-3	18V LI-ION BATTERY BL1830	2	PC.
			194230-4	18V LI-ION BATTERY BL1830, 2/PK	1	PK
A03			450128-8	BATTERY COVER	1	PC.
A04			DC18RA	CHARGER DC18RA	1	PC.
			DC18SE	12V AUTOMOTIVE CHARGER DC18SE	1	PC.
			DC18RAKIT	CHARGER+BATTERY(DC18RA+BL1830)	1	
A05			824861-2	PLASTIC CARRYING CASE	1	PC.
		INC.	163455-1	LATCH	2	PC.
A07			122574-2	1/2" DRILL CHUCK ASS'Y(W/SDS-PLUS CHUCK ADAPTOR)	1	PC.
	1	INC.	751099-5	CHUCK ADAPTER (TYPE1)	1	PC.
	2	INC.	751106-4	CHUCK ADAPTER (TYPE2)	1	PC.
		INC.	251425-3	FLAT HEAD SCREW M6x22	1	PC.
A08			192664-5	1/2" KEYLESS DRILL CHUCK	1	PC.

Item No	Type	Ref	Part No	Description	Qty	Unit
A10			183126-4	GREASE VESSEL F/BIT	1	PC.
			194683-7	GREASE VESSEL SET, 100CC, PUMP TYPE, FOR BIT	1	PC.
A11			421342-3	DUST CUP 5	1	PC.
A12			421664-1	DUST CUP 9	1	PC.
A13			763432-9	CHUCK KEY S13	1	PC.
A14			765009-6	BLOW-OUT BULB 64	1	PC.
A15			192278-0	HOSE COMPLETE 28-1.5	1	PC.
A16			P-80024	JOINT 25	1	PC.
A17			256815-5	ROD 15	1	PC.
A18			343411-9	CUTTER	1	PC.
A19	1		188582-3	HAMMER SERVICE KIT SET (TYPE 1)	1	SET
		INC.	194435-6	CARBON BRUSH CB-441 2PC/SET (W/O ORIGIN) - N/L/A	1	SET
		INC.	286263-4	CAP 35	1	PC.
		INC.	216022-2	STEEL BALL 7.0	1	PC.
		INC.	421955-0	CUSHION RING 13	1	PC.
		INC.	213073-6	O RING 9	1	PC.
		INC.	233917-4	RING SPRING 28	1	PC.
		INC.	213227-5	O RING 16	1	PC.
		INC.	A-90582	MAKITA GREASE R NO.00 30CC (1OZ)(OLD# 181490-7)	1	PC.
A19	2		195193-7	HAMMER SERVICE KIT SET (TYPE 2)	1	SET
		INC.	195022-4	CARBON BRUSH CB-441, 2PCS/SET, W/ORIGIN	1	SET
		INC.	286263-4	CAP 35	1	PC.
		INC.	216022-2	STEEL BALL 7.0	1	PC.
		INC.	421955-0	CUSHION RING 13	1	PC.
		INC.	213073-6	O RING 9	1	PC.
		INC.	233917-4	RING SPRING 28	1	PC.
		INC.	213227-5	O RING 16	1	PC.
		INC.	195127-0	MAKITA GREASE RB NO.00 30G	1	PC.
A20			256806-6	ROD 10 F/ CORE BIT	1	PC.
A21	2		123100-0	TOOL HOLDER ASS'Y	1	PC.
		INC.		Item No. 25-28,30,32-38	1	PC.
A22			122823-7	1/2" KEYLESS DRILL CHUCK ATTACHMENT	1	PC.
		INC.	192892-2	1/2" KEYLESS DRILL CHUCK	1	PC.
		INC.	751106-4	CHUCK ADAPTOR	1	PC.
		INC.	251425-3	- FLAT HEAD SCREW M6X22	1	PC.

SERVICE CHANGES

1. Changes on Switch, Terminal and Battery Hous (T/I# 84907) (T/I# 92349)

Item No.	Description	Type 1	Type 2	Type 3
88	Switch		650587-8	638883-4
91	Terminal	643812-4	643838-6	643859-8
92	Battery Housing Set		188453-4	187212-3

Above parts are completely interchangeable as a set.

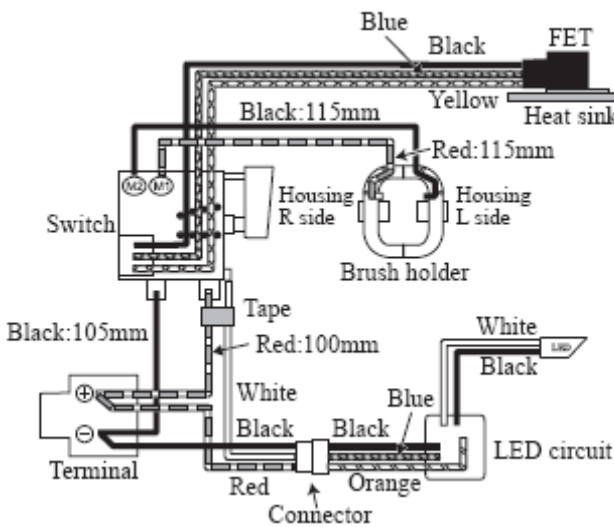
Service Note:

Use new parts for repair of the model manufactured on or after October 2011 with using Yellow lead wire between Switch and Terminal.

Use current parts for repair of the model manufactured before October 2011 without using Yellow lead wire between Switch and Terminal.

Fig. 1 Circuit diagram

Type 1-2



Type 3

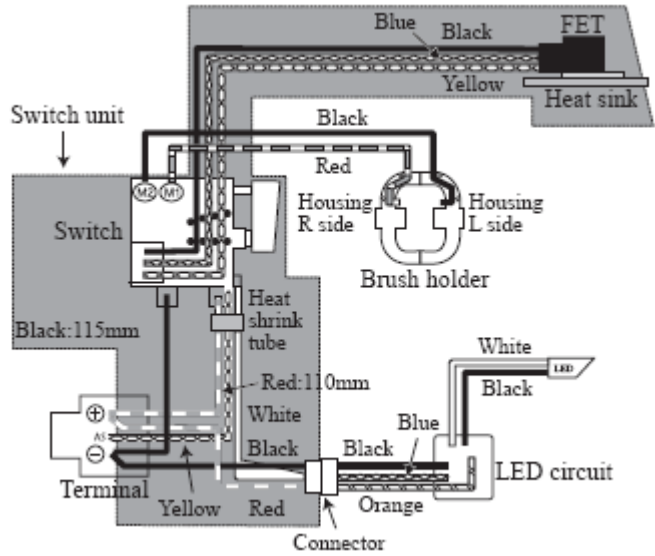


Fig. 2 Wiring diagram

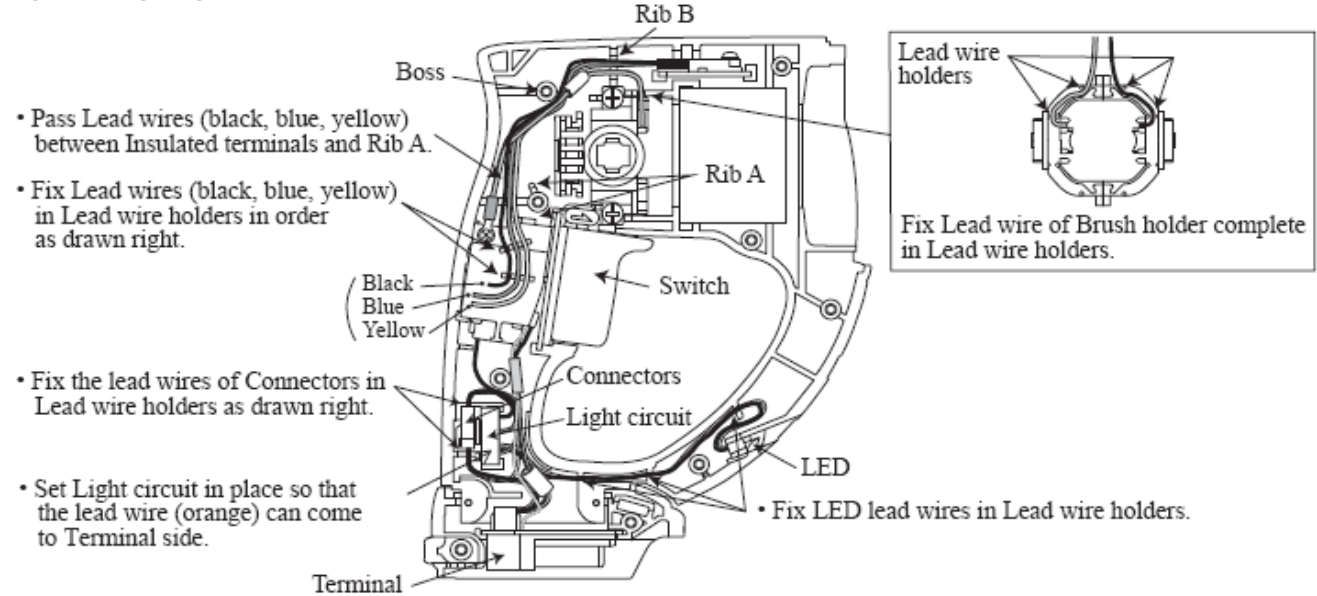


Fig. 3 (Terminal, Handle set)

	Type 1-2	Type 3
Terminal	<p>P/N: 643838-6</p> <p>Minus terminal Plus terminal</p>	<p>P/N: 643859-8</p> <p>AS terminal Minus terminal Plus terminal</p>
Battery housing L complete	<p>marking " 8A "</p>	<p>marking " A "</p>