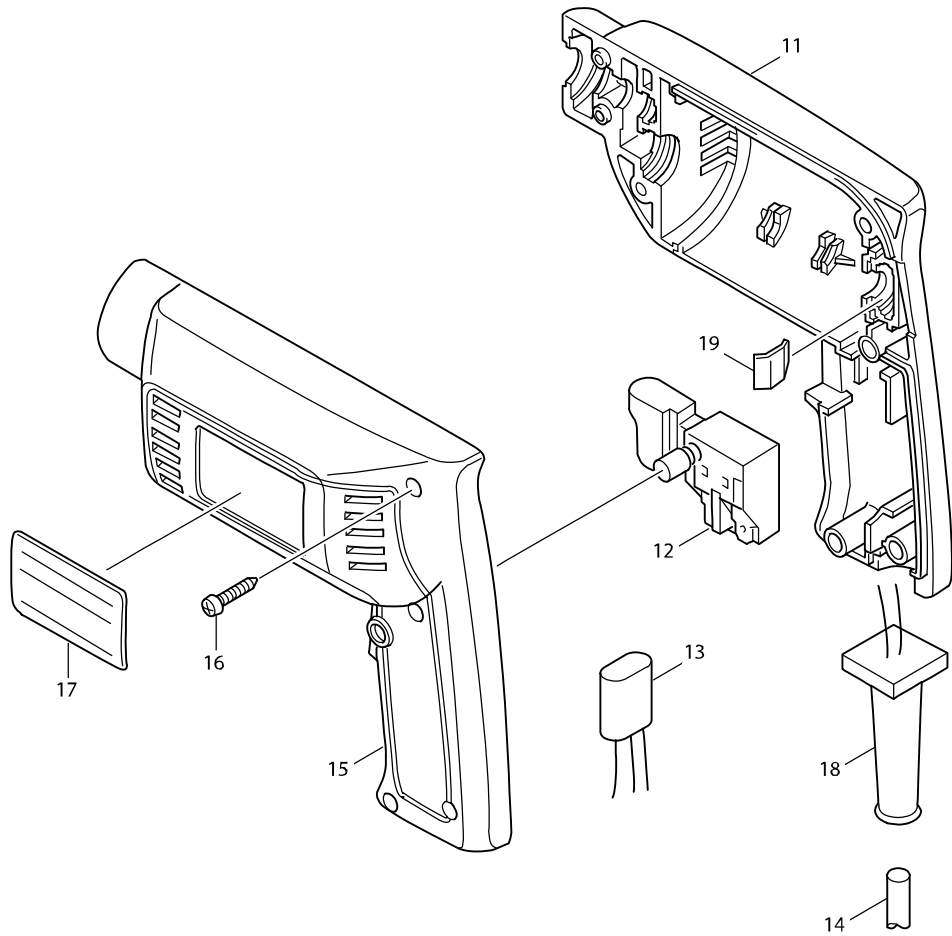
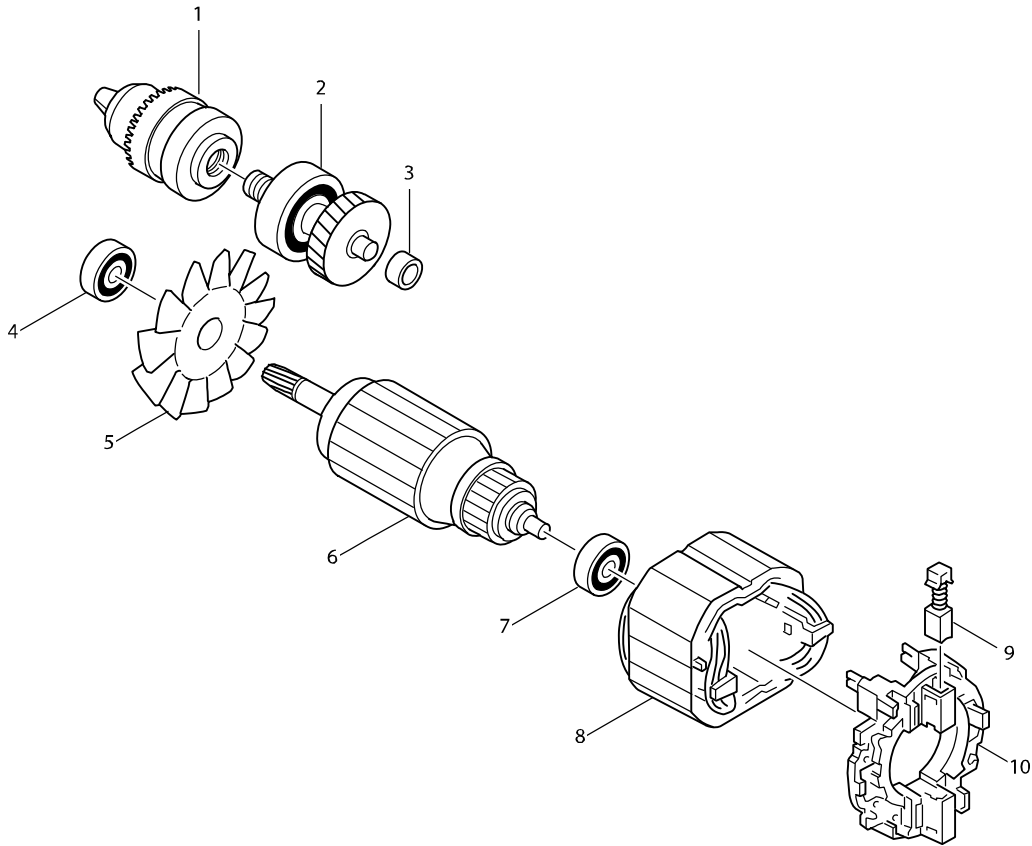


**Model No. 6501 HIGH SPEED DRILL 6.5MM**



# Model No. 6501 HIGH SPEED DRILL 6.5MM

Item	Parts No.	Description	I/C	Qty	N/O	Opt. 1	Opt. 2	Note
001-1	192887-5	DRILL CHUCK		1				
002	153178-9	GEAR COMPLETE		1				
003	214017-9	PLANE BEARING 5		1				
004	211018-8	BALL BEARING 626LB		1	*			
004-1	211016-2	BALL BEARING 626LLB	O	1				
005	241508-7	FAN 52		1				
006D1	517034-1	ARMATURE ASS'Y 240V		1				
D10		INC. 4,5,7						
007	211018-8	BALL BEARING 626LB		1	*			
007-1	211016-2	BALL BEARING 626LLB	O	1				
008D_	633034-4	FIELD 240V		1				
009	191914-5	CARBON BRUSH CB-70		1				
010-1	632073-1	TERMINAL BASE COMPLETE 55C		1				
011-3	182328-9	HOUSING SET		1	*			
D10		INC. 15			*			
011-4	183067-4	HOUSING SET	O	1	*			
D10		INC. 15			*			
011-5	183209-0	HOUSING SET	S	1				
D10		INC. 15						
012	651242-5	SWITCH SGEL106C-1		1	*			
012-1	650223-6	SWITCH SGEL115CD-4	S	1				
014P_	692006-8	POWER SUPPLY CORD 1.0-2-2.0		1				
015-3	182328-9	HOUSING SET		1	*			
D10		INC. 11			*			
015-4	183067-4	HOUSING SET	O	1	*			
D10		INC. 11			*			
015-5	183209-0	HOUSING SET	S	1				
D10		INC. 11						
016-1	265874-8	TAPPING SCREW BT 4X20		6				
017	856067-4	NAME PLATE 6501		1				
018	682502-4	CORD GUARD 8-85		1				
019	232100-0	LEAF SPRING		1				
020	265995-6	TAPPING SCREW 4X18		2				
021A_	687063-9	CORD CLAMP		1				
400	286224-4	CAP 12		1				
401	322177-4	DEPTH ROD		1				
402	343525-4	STOPPER POLE RETAINER		1				
403	924221-9	WING BOLT M5X18		1				
404	763418-3	CHUCK KEY S10		1				
405	411780-7	KEY HOLDER 10		1				